

MHL334

TECHNICAL DATA

SERVICE WEIGHT WITHOUT ATTACHMENT

MHL334 F	22–27 t
----------	---------

DIESEL ENGINES

Manufacturer and model	Deutz TCD 4.1 L4
Design	4-cylinder in-line engine
Control	EMR IV
Method of operation	4-cycle diesel, common rail open-combustion-chamber injection, turbocharger with charge cooler
Engine power	115 kW
Rated speed	2000 min ⁻¹
Displacement	4.1 l
Cooling system	Water and charge air cooling with temperature controlled fan speed
Exhaust gas standard	EPA Tier 4 interim / EU Stage IIIB
Air filter type	Two-stage filter with safety valve
Useable tank capacity	300 l

ELECTRICAL SYSTEM

Generator	28 V / 100 A
Operating voltage	24 V
Battery	2 × 12 V / 110 Ah / 750 A (according to EN)
Lighting system	2 × LED headlamps, turn indicators and tail lights
Optional equipment	11 kW or 13 kW generator with controls and insulation monitoring

HYDRAULIC SYSTEM

LINDE mobile hydraulic system with load limit control and fuelsaving power demand control. Separate hydraulic oil cooler, temperature-controlled fan speed, with optional reversing function

Max. Delivery rate	380 l/min
Operating pressure	320 / 360 bar
Hydraulic fluid tank	305 l
Hydraulic oil tank	320 l usable tank capacity

BRAKES

Service brake	Hydraulically activated single circuit brake system that works on all four pairs of wheels
Parking brake	Electro-hydraulically actuated spring-loaded disk brake on the front axle, works on both axles

TRANSMISSION

Hydrostatic drive through infinitely variable axial piston motor with directly mounted travel brake valves, two-speed shift gear, 4-wheel drive

Travel speed	1st gear: max. 6 km/h 2nd gear: max. 20km/h
Max. traction force	1st gear: 135 kN 2nd gear: 35 kN
Turning radius	5.7 m

SLEWING GEAR

Slew ring	Internally geared, double-row ball turning ring
Drive	2-stage planetary gear with integrated multi-disc brake
Uppercarriage swing speed	0–7.5 min ⁻¹ variable
Rotating interlock	electrically activated
Max. pivoting moment	49 kNm

UNDERCARRIAGE

Front axle	Planetary drive axle with integrated drum brake, rigidly mounted, max. steering angle 29°
Rear axle	Planetary drive axle with integrated drum brake, selfaligning bearing with automatic oscillating lock, max. steering angle 29°
Stabilization	Support blade with integrated cylinder protection on side of oscillating axle
Tires	Pneumatic tires, 8-fold 10.00-20

OPERATOR'S CAB

Cab	Sound-deadened; heat-insulated windows; windshield with pull-down sunblind that slides under the cab roof; viewing window on cab roof; sliding window in cab door, sliding door
Air-conditioning	Automatic air-conditioning. Infinitely variable heating with 8-speed fan, 10 adjustable air nozzles, 3 defroster nozzles (hot water system).
Operator's seat	Air-cushioned comfort-seat with integrated headrest, safety belt and lumbar support, seat heating with integrated A/C function optional. Comfortable operation with multi-purpose adjustment options for seat position, seat inclination, seat cushion placement in relation to armrests and pilot control units. Articulating armrest and joysticks.
Monitoring	Ergonomic layout; anti-glare instrumentation. Multi-function display, automatic monitoring and recording of abnormal operating conditions (including all hydraulic oil filters, hydraulic oil temperature (cold/hot) – coolant temperature and charge air temperature – diesel particulate filter load), visual and audible warning indication with shutdown of pilot controls/engine power reduction. Diagnosis of individual sensors possible via the multifunction display. Rear view camera and side view camera.
Sound levels	LW(A) = 104 dB(A) (guaranteed) in accordance with directive 2000/14/EC

OFFICIAL HOMOLOGATION

Certification in accordance with CE guidelines



EQUIPMENT

ENGINE	Standard	Option
Charge air cooling	●	
Direct electronic fuel injection/common rail	●	
Automatic idle	●	
Engine preheating		●
Engine diagnostics interface	●	
System-controlled fan drive with fan speed monitoring	●	

UNDERCARRIAGE	Standard	Option
Support blade on side of oscillating axle; integrated cylinder protection	●	
All-wheel drive	●	
Rear axle oscillating lock	●	
Special paint		●
Drum brakes	●	
Toolbox, small	●	
Toolbox, large		●
Access	●	
Fenders	●	
Additional support blade		●

UPPERCARRIAGE	Standard	Option
Separate cooling systems (combi-cooler for engine and hydraulic oil cooler)	●	
Cooling system fan speeds controlled by operating parameters	●	
Fan drive reversing function	●	
Lockable maintenance hatches, with gas struts	●	
Automatic central lubrication system	●	
Rear view camera	●	
Side view camera	●	
Travel alarm		●
Electric refuelling pump		●
Lighting protection		●
Special paint (customer paint work)		●

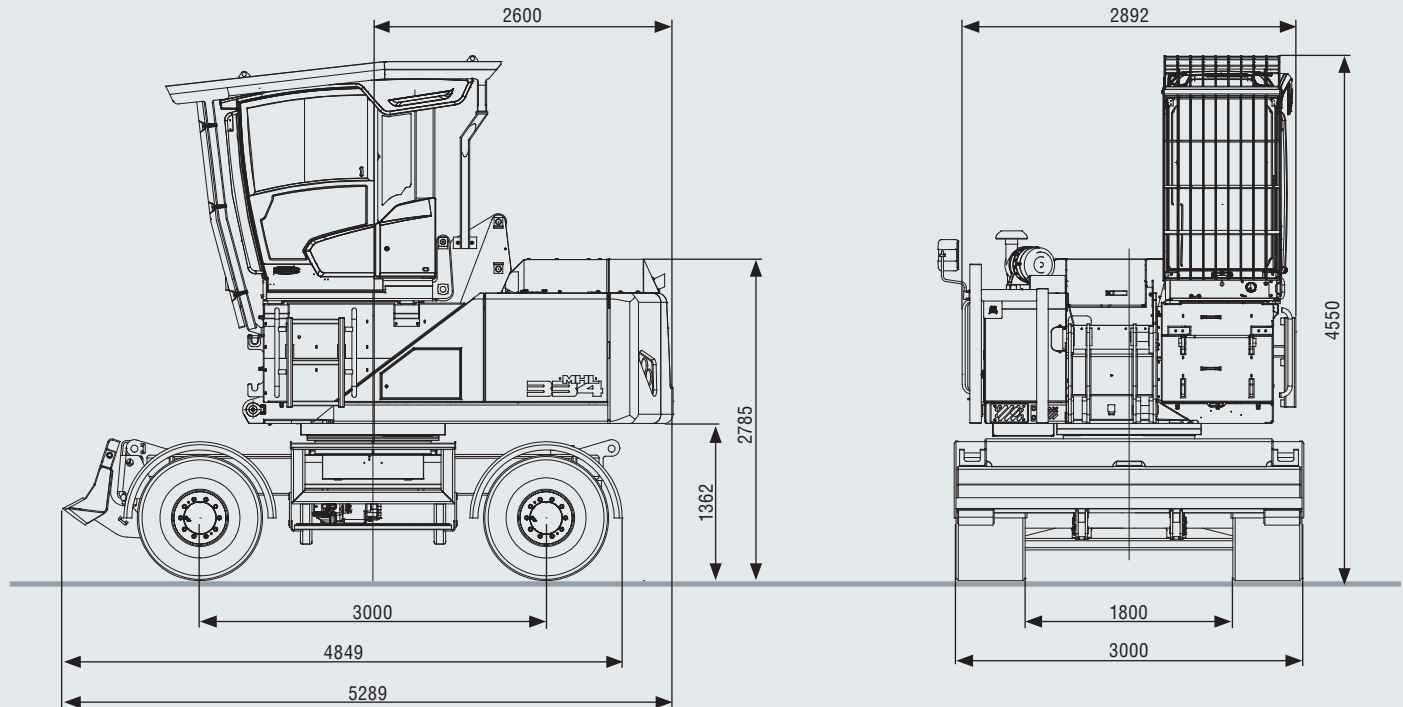
CAB	Standard	Option
3-layer glass with protection film	●	
Sliding window in cab door	●	
Glazed roof panel	●	
Reinforced glass (windscreen and roof panel)		●
Windshield washer system	●	
Roof washer system		●
Air-cushioned operator seat with headrest, seatbelt, and lumbar support	●	
Seat heating with integrated A/C function		●
Joystick steering	●	
Steering column, height and tilt adjustable		●
Automatic air conditioning system	●	
Independent heating system		●
Multi-function display	●	
Document clip	●	
Protective grilles to front and roof		●
12V transformer		●
Radio USB & Bluetooth	●	
12V socket	●	
Fire extinguisher, dry powder		●

EQUIPMENT	Standard	Option
Close proximity range limiter for dipperstick	●	
Coolant and hydraulic oil level monitoring system	●	
Filter system for attachments		●
Hose rupture valve for boom cylinder		●
Hose rupture valve for stick cylinder		●
Overload and work area control		●
Overload warning device		●
Quick coupling on dipperstick		●
Dipperstick impact protection		●
Active cyclone prefilter (TOP AIR)		●
Hydraulic oil preheating 230 V		●
Lubrication of the grab suspension by central lubrication system	●	
Light packages LED		●
LED front headlights	●	
Fuchs Telematics System	●	

Further optional equipment available on request!

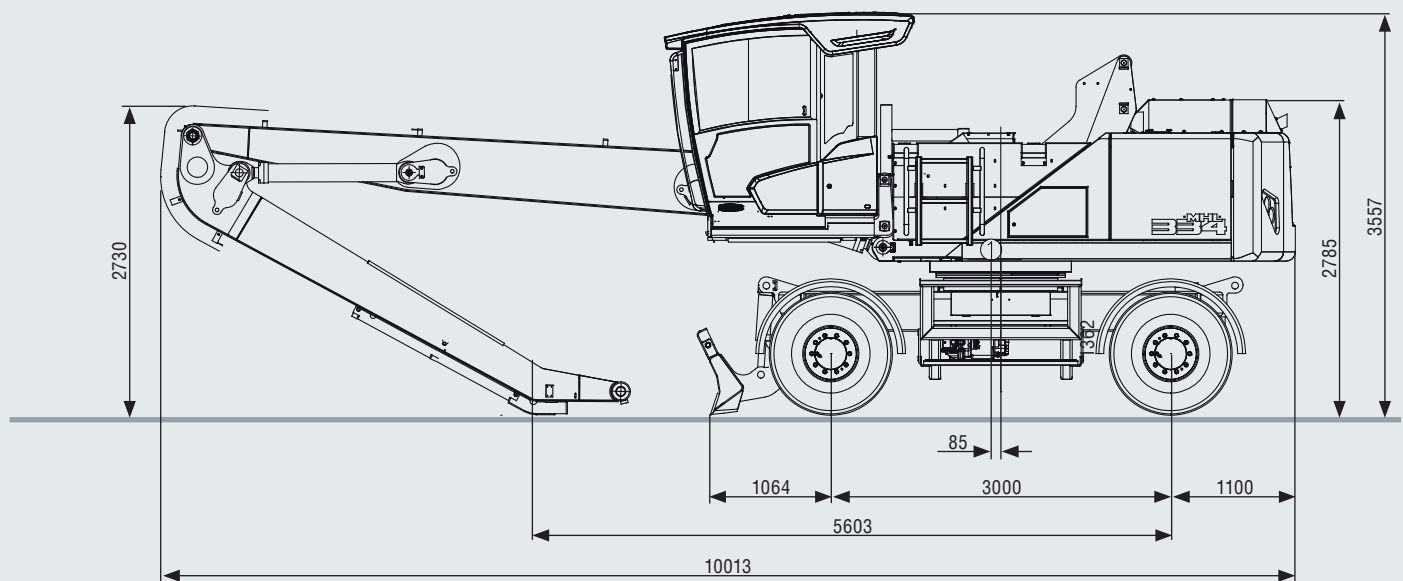
DIMENSIONS MHL334

All dimensions in mm



TRANSPORT DIMENSIONS MHL334

All dimensions in mm





WORKING RANGE MHL334

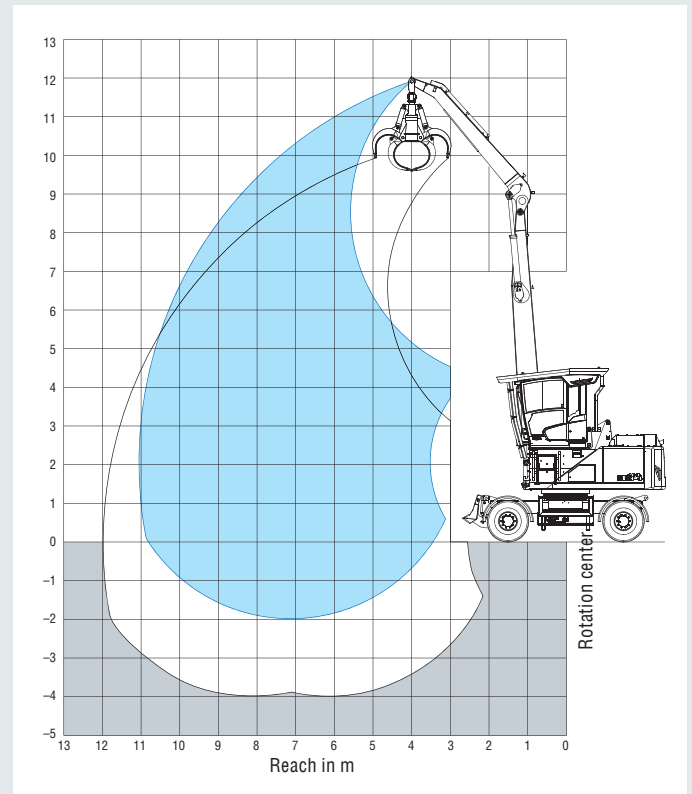
REACH 11.0 M WITH DIPPER STICK

Loading equipment	Boom 6.5 m Dipper stick 4.4 m Multi-tine grapple
--------------------------	--

RECOMMENDED ATTACHMENTS

Grab size	0.8–1.7 m ² Depending on mission requirements
------------------	---

The lift capacity values are stated in metric tons (t). The pump pressure is 360 bar. In accordance with ISO 10567 the lift capacity values represents 75% of the static tipping loads or 87% of the hydraulic lifting force (marked °). On solid and level ground the values apply to a swing range of 360°. The (...) values apply in the longitudinal direction of the undercarriage. The values for "not supported" only apply via the steering axle or the locked oscillating axle. The weights of the attached load hoisting equipment (grab, load hooks, etc.) must be deducted from the lift capacity values. The working load of the lifting device must be observed. In accordance with EU Standard EN 474-5 for object handling applications hose rupture valves on the boom and stick cylinders, an overload warning device and the lift capacity table in the cab are required. For object handling application the machine has to be supported on a level ground.



LIFTING CAPACITY MHL334

Height [m]	Undercarriage outrigger	Reach [m]					
		3.0	4.5	6	7.5	9	10.5
10.5	not supported			5.7° (5.7°) (5.7°)**			
9	not supported			6.1 (6.3°) (6.3°)**	4.3 (5.3) (5.6)**		
7.5	not supported			6.1 (6.4°) (6.4°)**	4.3 (5.3) (5.6)**	3.2 (3.9) (4.2)**	
6	not supported			5.9 (6.8°) (6.8°)**	4.2 (5.2) (5.5)**	3.2 (3.9) (4.2)**	
4.5	not supported	13.4° (13.4°) (13.4°)**	8.7 (9.6°) (9.6°)**	5.6 (7.0) (7.5)**	4.0 (5.0) (5.3)**	3.1 (3.8) (4.1)**	2.4 (3.0) (3.2)**
3	not supported		7.9 (10.2) (10.9)**	5.3 (6.7) (7.1)**	3.9 (4.8) (5.1)**	3.0 (3.7) (4.0)**	2.4 (3.0) (3.2)**
1.5	not supported		7.2 (9.5) (9.8°)**	5.0 (6.3) (6.7)**	3.7 (4.6) (5.0)**	2.9 (3.6) (3.9)**	2.3 (2.9) (3.1)**
0	not supported		6.9 (7.0°) (7.0°)**	4.7 (6.1) (6.5)**	3.5 (4.5) (4.8)**	2.8 (3.5) (3.8)**	2.3 (2.9) (3.1)**
-1.5	not supported			4.6 (6.0) (6.4)**	3.5 (4.4) (4.7)**	2.8 (3.5) (3.7)**	
							Max. reach 11.05 m
2.06	not supported						2.2 (2.7) (2.9)**